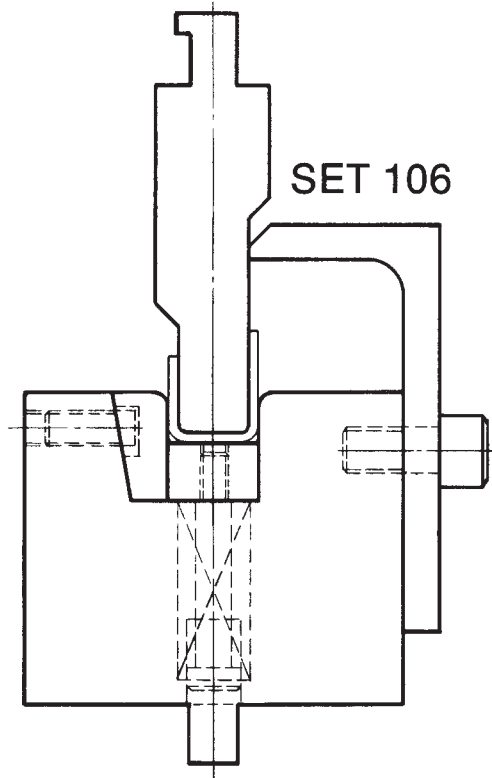
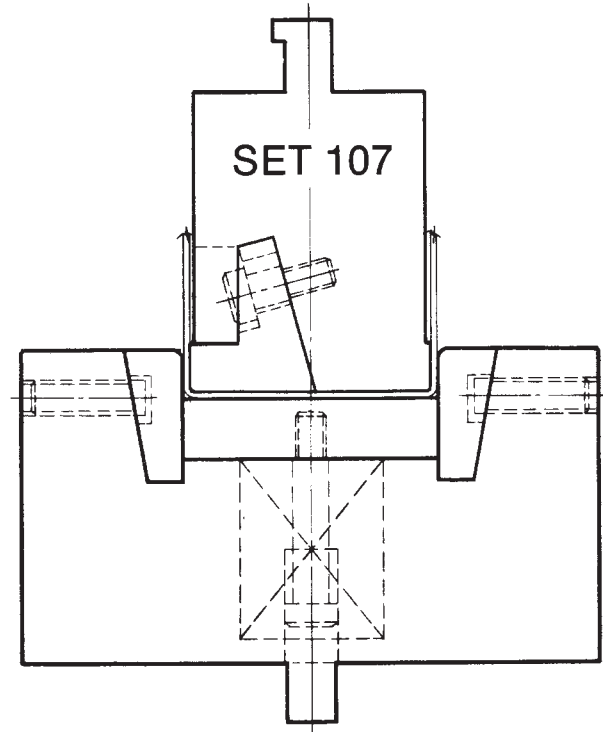




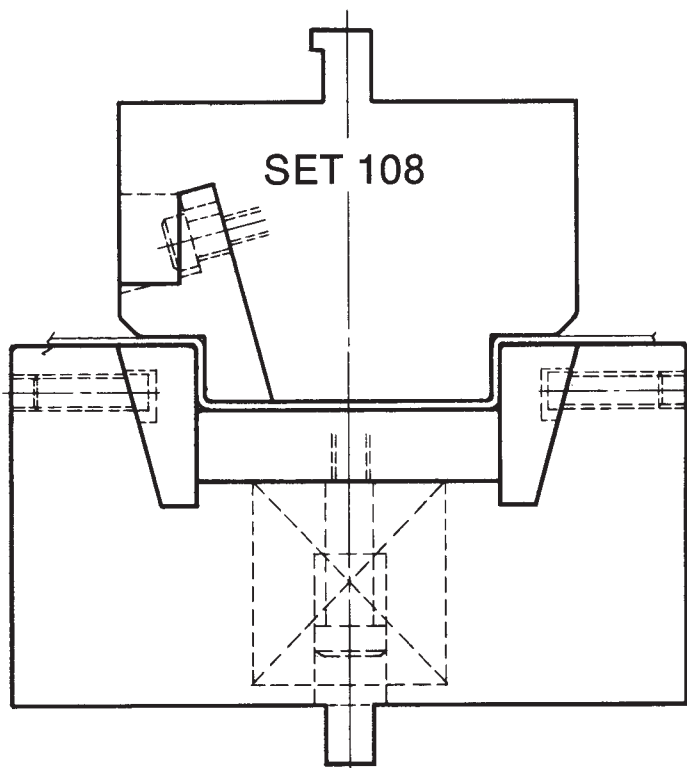
CHANNEL DIES



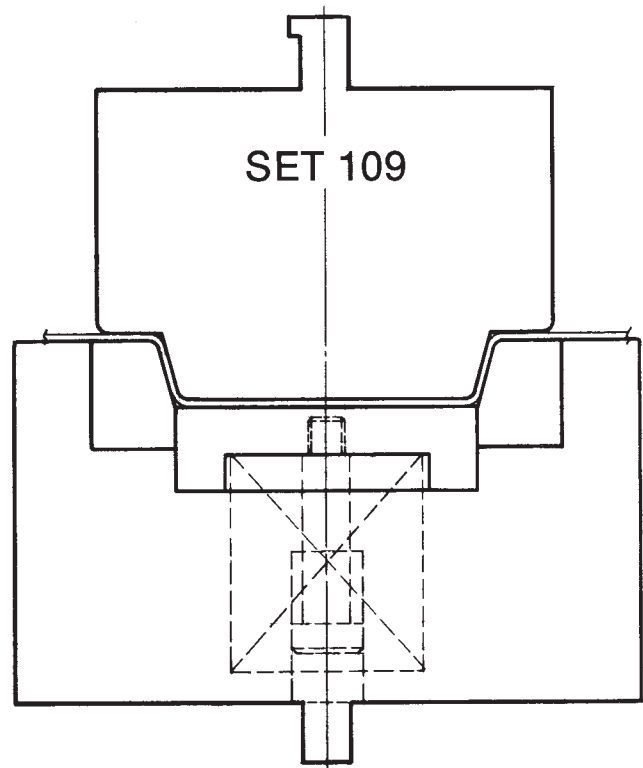
Die set #106 can be used to form flat bottomed channels in one stroke. Stripping is assured with release wedges and hook strippers.



For channels with web over $\frac{3}{4}$ ", set #107 is recommended. Both punch and die have release wedges for quick removal of part.



Die set #108 forms 4 square bends in one stroke. Spring pad in die keeps web flat. Release wedges in punch and die permit easy removal of part.



By tapering side of a hat channel, pressure is greatly reduced. Pressure pad assures greater accuracy and also serves to eject the part.