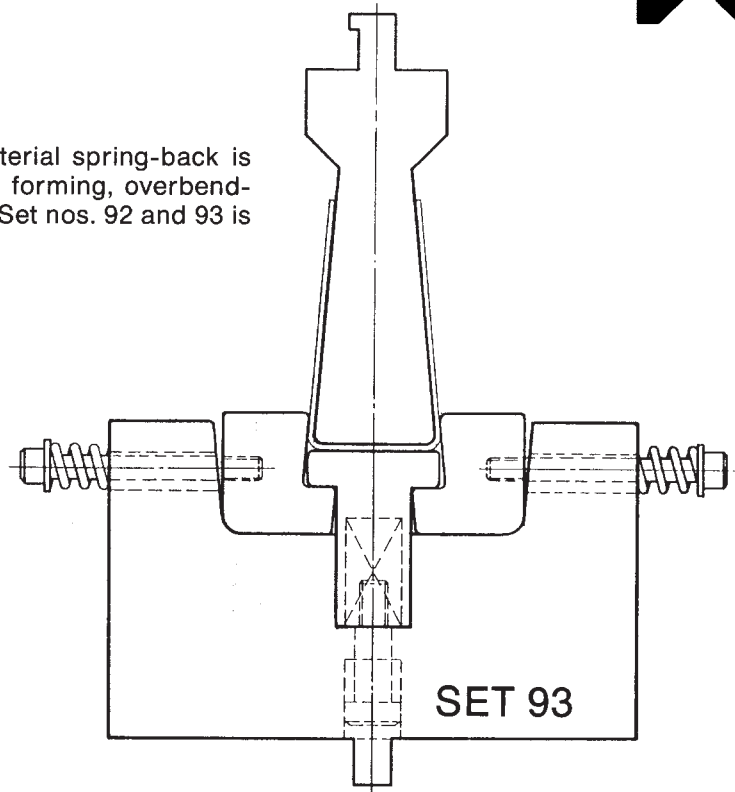
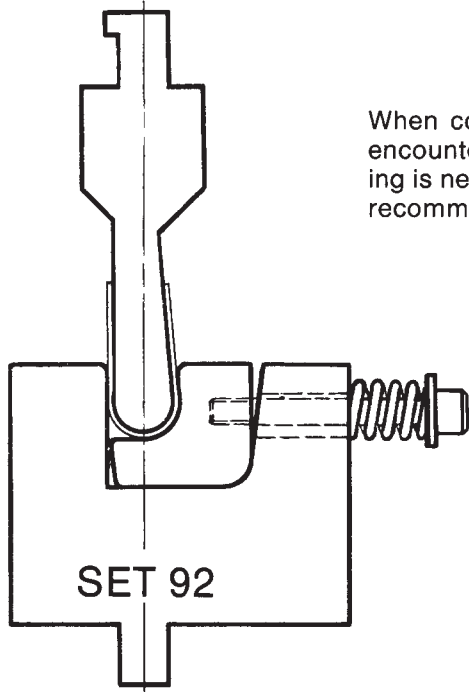


ROCKER CHANNEL DIE

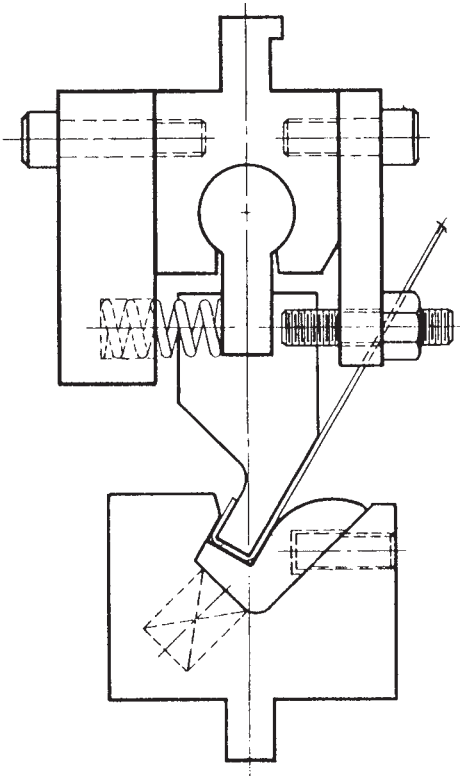


When considerable material spring-back is encountered in channel forming, overbending is necessitated. Die Set nos. 92 and 93 is recommended.

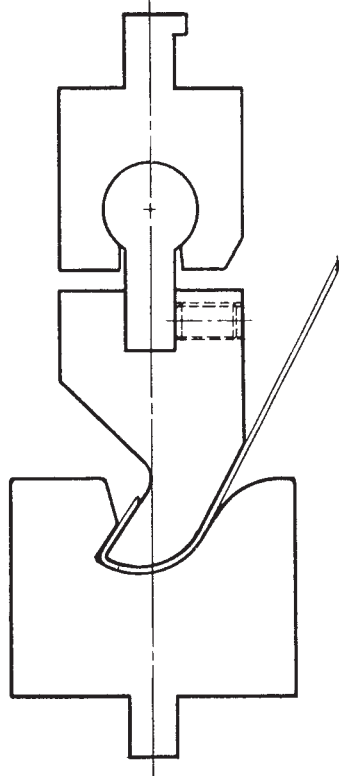


ROCKER DIES

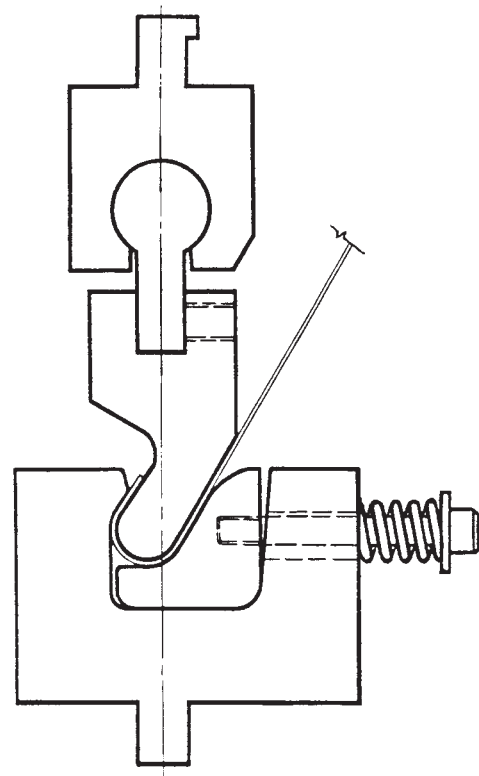
SET 126



SET 127



SET 128



Clearance difficulties are avoided and good results in forming are assured in a single stroke with Rocker type dies #126, 127, 128.