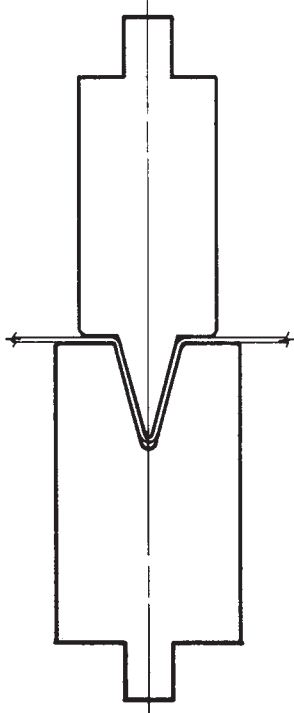


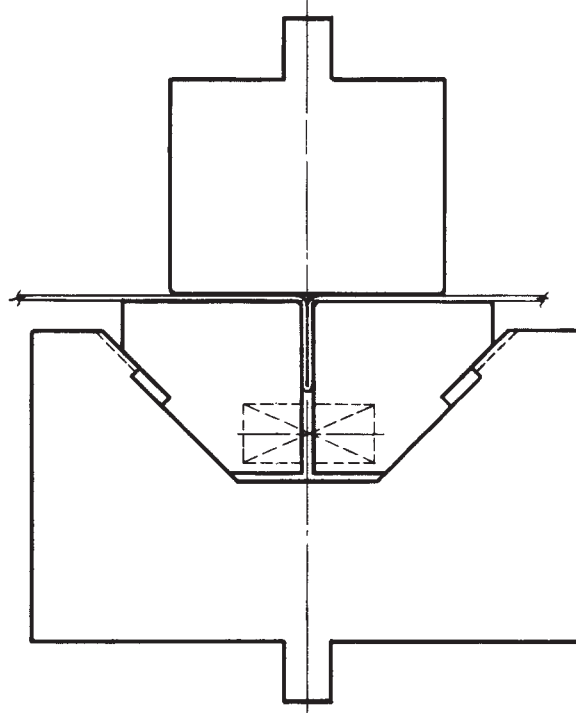
# STANDING SEAM DIES



SET 117

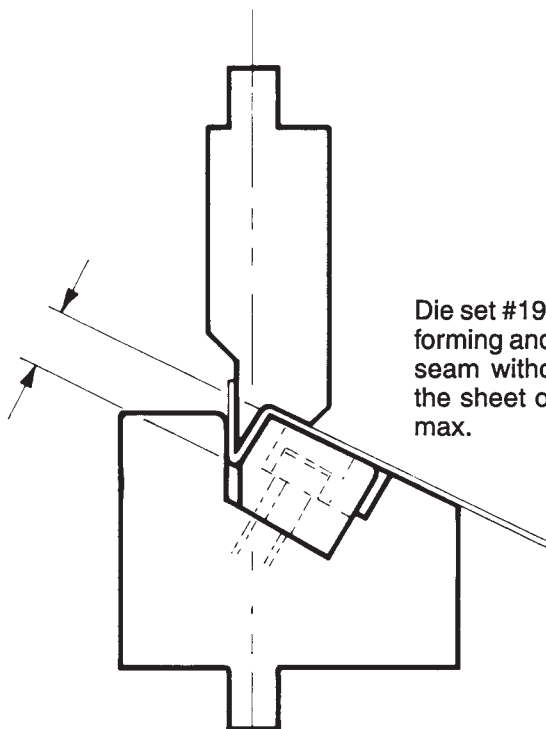


SET 118



Die set #117 and set #118 form a teardrop or an open hem in one handling. This type of die set is suitable for 14 ga. mild steel.

SET 194



Die set #194 will allow forming and closing of seam without turning the sheet over 18 ga. max.

Double flange standing seams are formed in die set #120 in 2 operations.

SET 120

